

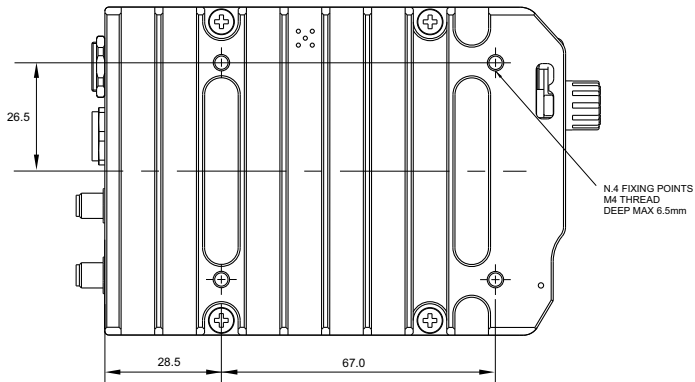


SmartyCam 3 GP

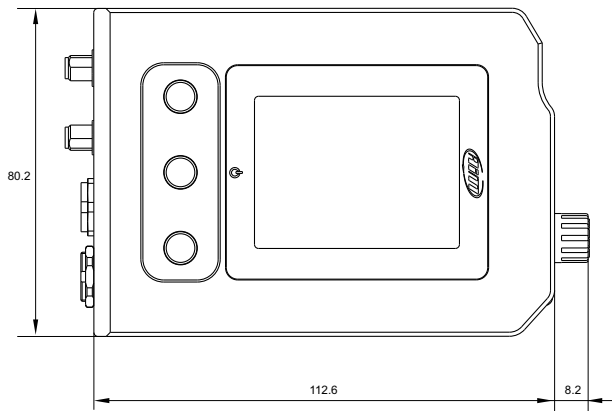
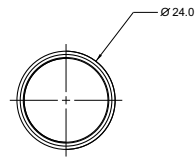
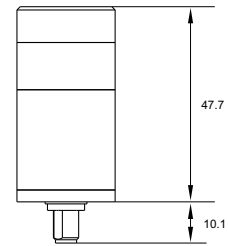
On-board camera



SMARTYCAM 3 GP
MODULE



SMARTYCAM 3 GP
BULLET CAM





SmartyCam 3 GP

On-board camera

Technical characteristics

Video format	H.264 1920 x 1080 pixels @ 60 fps
Display resolution	2.4" 240 x 320 pixels
Lens	Low distortion camera lens
CMOS sensor	Global Shutter
Field of view	67°, 84° or 120°
Internal battery	Rechargeable lithium battery
Video Out	3G-SDI
External power	9-15 Volt
Supported SD card	Up to 2 TB
Accelerometer	Three-axial ± 16G
Usage temperatures	-10°C/+50°C
Auto Power ON	Yes
Auto Power OFF	Yes
Auto Start/Stop Recording	Yes
Body	Anodized Aluminum
Dimensions	Main unit 120.8 x 80.2 x 30.9 mm Bullet camera 24 diam x 48.2 mm
Connectors	2 Binder 712 female connectors + 2 SMA female connector (see pinout page) + 1 USB-C
Bullet cable length	2.0 m
Weight	Main unit 320 g Bullet 45 g
Waterproof	IP65

Part number

XS3G xxxx	SmartyCam 3 GP
------------------	----------------



SmartyCam 3 GP

On-board camera

Pinout

